

# PCボックスカルバート

国土交通省 東北地方整備局土木工事 標準図集適合製品  
 下水道用資器材製造工場認定 下水道用コンクリート製ボックスカルバート

道路下に埋設し、主に下水道及び排水用管路として使用されるほか、地下道、貯留槽など多岐にわたって使用できます。



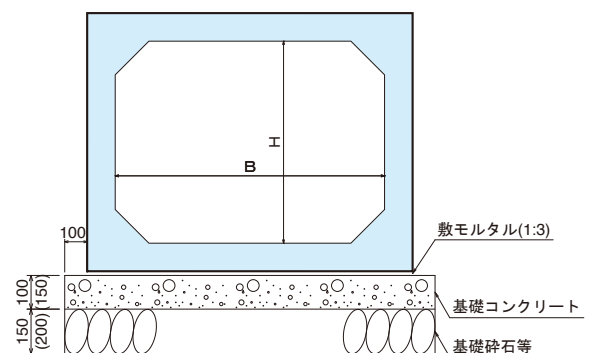
## [特 徴]

- 頂版及び底板にアンボンドPC鋼棒を使用したポストテンション方式のパーシャルプレストレストコンクリート構造とし、また側壁については、鉄筋コンクリート構造として設計されています。
- 耐荷性や衝撃耐久性に優れ、鉄筋コンクリート(RC)構造と異なりひび割れが発生しないので耐久性に優れています。
- 設計荷重は、横断・縦断方向ともT-25対応です。
- 標準土被りは0.2m～3.0mと設定しています。それ以外については現場状況に応じた構造計算を行い安全性の確認を行います。
- 下水道認定資器材の認定工場で生産されるため、強度、耐久性が大きく均一で高品質な製品です。

## [設計条件]

活荷重	T-25
土の単位体積重量	19.0kN/m <sup>3</sup>
水平土圧係数	0.50 (静止土圧係数)
土かぶり	0.2m ~ 3.0m
準拠示方書類	(社)日本道路協会 道路土工 カルバート工指針
	全国ボックスカルバート協会 プレキャストボックスカルバート設計施工マニュアル
	日本PCボックスカルバート製品協会 プレキャストボックスカルバート設計施工要領

## [標準施工図]

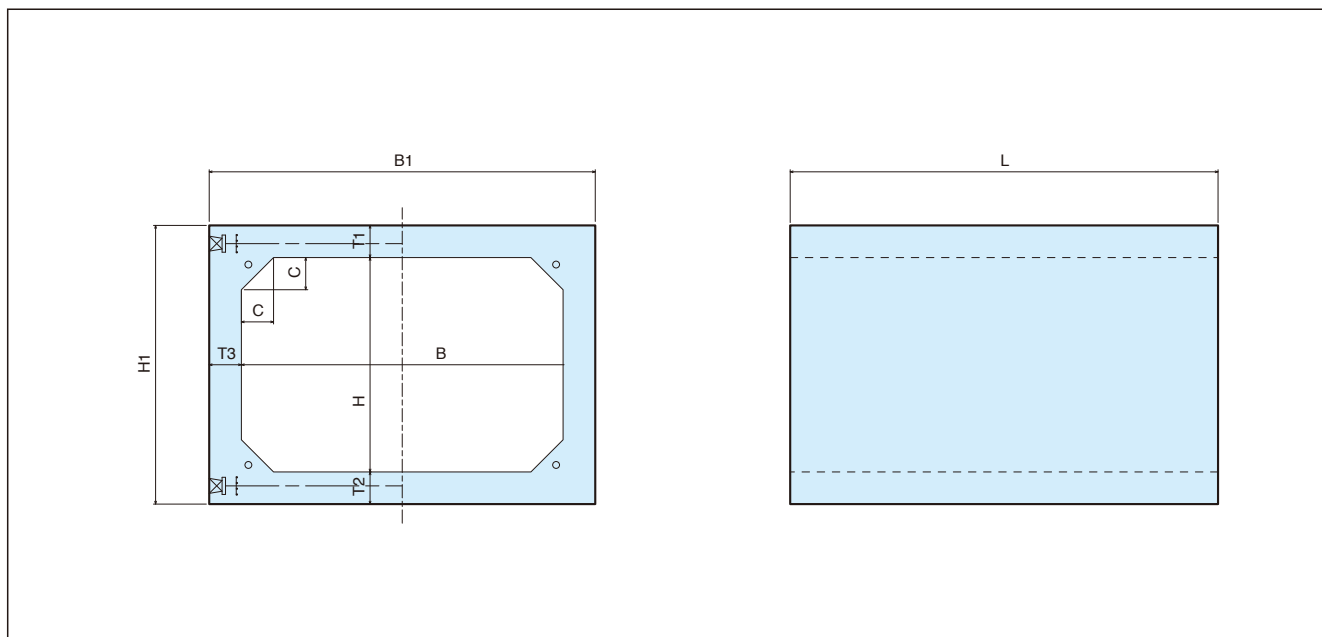


## [関連製品・工法]

- RCボックスカルバート
- 分割式大型ボックスカルバート
- TB(タッチボンド)工法
- エアーキャスター工法
- オープンシールド工法
- ボックスカルバート基礎板



## [形状図]



## [規格表]

呼び名 B×H	形状寸法(mm)									参考質量 (Kg)
	B	H	B1	H1	T1	T2	T3	C	L	
1,100×600	1,100	600	1,350	850	125	125	125	150	1,995	2,663
1,100×700	1,100	700	1,350	950	125	125	125	150	1,995	2,788
1,100×800	1,100	800	1,350	1,050	125	125	125	150	1,995	2,913
1,100×900	1,100	900	1,350	1,150	125	125	125	150	1,995	3,038
1,100×1,000	1,100	1,000	1,350	1,250	125	125	125	150	1,995	3,163
1,100×1,100	1,100	1,100	1,350	1,350	125	125	125	150	1,995	3,288
1,200×600	1,200	600	1,450	850	125	125	125	150	1,995	2,788
1,200×700	1,200	700	1,450	950	125	125	125	150	1,995	2,913
1,200×800	1,200	800	1,450	1,050	125	125	125	150	1,995	3,038
1,200×900	1,200	900	1,450	1,150	125	125	125	150	1,995	3,163
1,200×1,000	1,200	1,000	1,450	1,250	125	125	125	150	1,995	3,288
1,200×1,100	1,200	1,100	1,450	1,350	125	125	125	150	1,995	3,413
1,200×1,200	1,200	1,200	1,450	1,450	125	125	125	150	1,995	3,538
1,300×600	1,300	600	1,550	850	125	125	125	150	1,995	2,913
1,300×700	1,300	700	1,550	950	125	125	125	150	1,995	3,038
1,300×800	1,300	800	1,550	1,050	125	125	125	150	1,995	3,163
1,300×900	1,300	900	1,550	1,150	125	125	125	150	1,995	3,288
1,300×1,000	1,300	1,000	1,550	1,250	125	125	125	150	1,995	3,413
1,300×1,100	1,300	1,100	1,550	1,350	125	125	125	150	1,995	3,538
1,300×1,200	1,300	1,200	1,550	1,450	125	125	125	150	1,995	3,663
1,300×1,300	1,300	1,300	1,550	1,550	125	125	125	150	1,995	3,788



## [規格表]

呼び名 B×H	形状寸法(mm)									参考質量 (Kg)
	B	H	B1	H1	T1	T2	T3	C	L	
1,400×800	1,400	800	1,700	1,100	150	150	150	150	1,995	3,975
1,400×900	1,400	900	1,700	1,200	150	150	150	150	1,995	4,125
1,400×1,000	1,400	1,000	1,700	1,300	150	150	150	150	1,995	4,275
1,400×1,100	1,400	1,100	1,700	1,400	150	150	150	150	1,995	4,425
1,400×1,200	1,400	1,200	1,700	1,500	150	150	150	150	1,995	4,575
1,400×1,300	1,400	1,300	1,700	1,600	150	150	150	150	1,995	4,725
1,400×1,400	1,400	1,400	1,700	1,700	150	150	150	150	1,995	4,875
1,500×800	1,500	800	1,800	1,100	150	150	150	150	1,995	4,125
1,500×900	1,500	900	1,800	1,200	150	150	150	150	1,995	4,275
1,500×1,000	1,500	1,000	1,800	1,300	150	150	150	150	1,995	4,425
1,500×1,100	1,500	1,100	1,800	1,400	150	150	150	150	1,995	4,575
1,500×1,200	1,500	1,200	1,800	1,500	150	150	150	150	1,995	4,725
1,500×1,300	1,500	1,300	1,800	1,600	150	150	150	150	1,995	4,875
1,500×1,400	1,500	1,400	1,800	1,700	150	150	150	150	1,995	5,025
1,500×1,500	1,500	1,500	1,800	1,800	150	150	150	150	1,995	5,175
1,600×800	1,600	800	1,900	1,100	150	150	150	150	1,995	4,275
1,600×900	1,600	900	1,900	1,200	150	150	150	150	1,995	4,425
1,600×1,000	1,600	1,000	1,900	1,300	150	150	150	150	1,995	4,575
1,600×1,100	1,600	1,100	1,900	1,400	150	150	150	150	1,995	4,725
1,600×1,200	1,600	1,200	1,900	1,500	150	150	150	150	1,995	4,875
1,600×1,300	1,600	1,300	1,900	1,600	150	150	150	150	1,995	5,025
1,600×1,400	1,600	1,400	1,900	1,700	150	150	150	150	1,995	5,175
1,600×1,500	1,600	1,500	1,900	1,800	150	150	150	150	1,995	5,325
1,600×1,600	1,600	1,600	1,900	1,900	150	150	150	150	1,995	5,475
1,700×1,000	1,700	1,000	2,000	1,300	150	150	150	150	1,995	4,725
1,700×1,100	1,700	1,100	2,000	1,400	150	150	150	150	1,995	4,875
1,700×1,200	1,700	1,200	2,000	1,500	150	150	150	150	1,995	5,025
1,700×1,300	1,700	1,300	2,000	1,600	150	150	150	150	1,995	5,175
1,700×1,400	1,700	1,400	2,000	1,700	150	150	150	150	1,995	5,325
1,700×1,500	1,700	1,500	2,000	1,800	150	150	150	150	1,995	5,475
1,700×1,600	1,700	1,600	2,000	1,900	150	150	150	150	1,995	5,625
1,700×1,700	1,700	1,700	2,000	2,000	150	150	150	150	1,995	5,775
1,800×1,000	1,800	1,000	2,100	1,300	150	150	150	150	1,995	4,875
1,800×1,100	1,800	1,100	2,100	1,400	150	150	150	150	1,995	5,025
1,800×1,200	1,800	1,200	2,100	1,500	150	150	150	150	1,995	5,175
1,800×1,300	1,800	1,300	2,100	1,600	150	150	150	150	1,995	5,325
1,800×1,400	1,800	1,400	2,100	1,700	150	150	150	150	1,995	5,475
1,800×1,500	1,800	1,500	2,100	1,800	150	150	150	150	1,995	5,625
1,800×1,600	1,800	1,600	2,100	1,900	150	150	150	150	1,995	5,775
1,800×1,700	1,800	1,700	2,100	2,000	150	150	150	150	1,995	5,925
1,800×1,800	1,800	1,800	2,100	2,100	150	150	150	150	1,995	6,075



## [規格表]

呼び名 B×H	形状寸法 (mm)									参考質量 (Kg)
	B	H	B1	H1	T1	T2	T3	C	L	
1,900×1,000	1,900	1,000	2,200	1,300	150	150	150	150	1,995	5,025
1,900×1,100	1,900	1,100	2,200	1,400	150	150	150	150	1,995	5,175
1,900×1,200	1,900	1,200	2,200	1,500	150	150	150	150	1,995	5,325
1,900×1,300	1,900	1,300	2,200	1,600	150	150	150	150	1,995	5,475
1,900×1,400	1,900	1,400	2,200	1,700	150	150	150	150	1,995	5,625
1,900×1,500	1,900	1,500	2,200	1,800	150	150	150	150	1,995	5,775
1,900×1,600	1,900	1,600	2,200	1,900	150	150	150	150	1,995	5,925
1,900×1,700	1,900	1,700	2,200	2,000	150	150	150	150	1,995	6,075
1,900×1,800	1,900	1,800	2,200	2,100	150	150	150	150	1,995	6,225
1,900×1,900	1,900	1,900	2,200	2,200	150	150	150	150	1,995	6,375
2,000×800	2,000	800	2,300	1,100	150	150	150	150	1,995	4,875
2,000×900	2,000	900	2,300	1,200	150	150	150	150	1,995	5,025
2,000×1,000	2,000	1,000	2,300	1,300	150	150	150	150	1,995	5,175
2,000×1,100	2,000	1,100	2,300	1,400	150	150	150	150	1,995	5,325
2,000×1,200	2,000	1,200	2,300	1,500	150	150	150	150	1,995	5,475
2,000×1,300	2,000	1,300	2,300	1,600	150	150	150	150	1,995	5,625
2,000×1,400	2,000	1,400	2,300	1,700	150	150	150	150	1,995	5,775
2,000×1,500	2,000	1,500	2,300	1,800	150	150	150	150	1,995	5,925
2,000×1,600	2,000	1,600	2,300	1,900	150	150	150	150	1,995	6,075
2,000×1,700	2,000	1,700	2,300	2,000	150	150	150	150	1,995	6,225
2,000×1,800	2,000	1,800	2,300	2,100	150	150	150	150	1,995	6,375
2,000×1,900	2,000	1,900	2,300	2,200	150	150	150	150	1,995	6,525
2,000×2,000	2,000	2,000	2,300	2,300	150	150	150	150	1,995	6,675
2,100×1,000	2,100	1,000	2,460	1,360	180	180	180	150	1,995	6,453
2,100×1,100	2,100	1,100	2,460	1,460	180	180	180	150	1,995	6,633
2,100×1,200	2,100	1,200	2,460	1,560	180	180	180	150	1,995	6,813
2,100×1,300	2,100	1,300	2,460	1,660	180	180	180	150	1,995	6,993
2,100×1,400	2,100	1,400	2,460	1,760	180	180	180	150	1,995	7,173
2,100×1,500	2,100	1,500	2,460	1,860	180	180	180	150	1,995	7,353
2,100×1,600	2,100	1,600	2,460	1,960	180	180	180	150	1,995	7,533
2,100×1,700	2,100	1,700	2,460	2,060	180	180	180	150	1,995	7,713
2,100×1,800	2,100	1,800	2,460	2,160	180	180	180	150	1,995	7,893
2,100×1,900	2,100	1,900	2,460	2,260	180	180	180	150	1,995	8,073
2,100×2,000	2,100	2,000	2,460	2,360	180	180	180	150	1,995	8,253
2,100×2,100	2,100	2,100	2,460	2,460	180	180	180	150	1,995	8,433



## [規格表]

呼び名 B×H	形状寸法(mm)									参考質量 (Kg)
	B	H	B1	H1	T1	T2	T3	C	L	
2,200×1,000	2,200	1,000	2,560	1,360	180	180	180	150	1,995	6,633
2,200×1,100	2,200	1,100	2,560	1,460	180	180	180	150	1,995	6,813
2,200×1,200	2,200	1,200	2,560	1,560	180	180	180	150	1,995	6,993
2,200×1,300	2,200	1,300	2,560	1,660	180	180	180	150	1,995	7,173
2,200×1,400	2,200	1,400	2,560	1,760	180	180	180	150	1,995	7,353
2,200×1,500	2,200	1,500	2,560	1,860	180	180	180	150	1,995	7,533
2,200×1,600	2,200	1,600	2,560	1,960	180	180	180	150	1,995	7,713
2,200×1,700	2,200	1,700	2,560	2,060	180	180	180	150	1,995	7,893
2,200×1,800	2,200	1,800	2,560	2,160	180	180	180	150	1,995	8,073
2,200×1,900	2,200	1,900	2,560	2,260	180	180	180	150	1,995	8,253
2,200×2,000	2,200	2,000	2,560	2,360	180	180	180	150	1,995	8,433
2,200×2,100	2,200	2,100	2,560	2,460	180	180	180	150	1,995	8,613
2,200×2,200	2,200	2,200	2,560	2,560	180	180	180	150	1,995	8,793
2,300×1,000	2,300	1,000	2,660	1,360	180	180	180	150	1,995	6,813
2,300×1,100	2,300	1,100	2,660	1,460	180	180	180	150	1,995	6,993
2,300×1,200	2,300	1,200	2,660	1,560	180	180	180	150	1,995	7,173
2,300×1,300	2,300	1,300	2,660	1,660	180	180	180	150	1,995	7,353
2,300×1,400	2,300	1,400	2,660	1,760	180	180	180	150	1,995	7,533
2,300×1,500	2,300	1,500	2,660	1,860	180	180	180	150	1,995	7,713
2,300×1,600	2,300	1,600	2,660	1,960	180	180	180	150	1,995	7,893
2,300×1,700	2,300	1,700	2,660	2,060	180	180	180	150	1,995	8,073
2,300×1,800	2,300	1,800	2,660	2,160	180	180	180	150	1,995	8,253
2,300×1,900	2,300	1,900	2,660	2,260	180	180	180	150	1,995	8,433
2,300×2,000	2,300	2,000	2,660	2,360	180	180	180	150	1,995	8,613
2,300×2,100	2,300	2,100	2,660	2,460	180	180	180	150	1,995	8,793
2,300×2,200	2,300	2,200	2,660	2,560	180	180	180	150	1,995	8,973
2,300×2,300	2,300	2,300	2,660	2,660	180	180	180	150	1,995	9,153
2,400×1,000	2,400	1,000	2,760	1,360	180	180	180	150	1,995	6,993
2,400×1,100	2,400	1,100	2,760	1,460	180	180	180	150	1,995	7,173
2,400×1,200	2,400	1,200	2,760	1,560	180	180	180	150	1,995	7,353
2,400×1,300	2,400	1,300	2,760	1,660	180	180	180	150	1,995	7,533
2,400×1,400	2,400	1,400	2,760	1,760	180	180	180	150	1,995	7,713
2,400×1,500	2,400	1,500	2,760	1,860	180	180	180	150	1,995	7,893
2,400×1,600	2,400	1,600	2,760	1,960	180	180	180	150	1,995	8,073
2,400×1,700	2,400	1,700	2,760	2,060	180	180	180	150	1,995	8,253
2,400×1,800	2,400	1,800	2,760	2,160	180	180	180	150	1,995	8,433
2,400×1,900	2,400	1,900	2,760	2,260	180	180	180	150	1,995	8,613
2,400×2,000	2,400	2,000	2,760	2,360	180	180	180	150	1,995	8,793
2,400×2,100	2,400	2,100	2,760	2,460	180	180	180	150	1,995	8,973
2,400×2,200	2,400	2,200	2,760	2,560	180	180	180	150	1,995	9,153
2,400×2,300	2,400	2,300	2,760	2,660	180	180	180	150	1,995	9,333
2,400×2,400	2,400	2,400	2,760	2,760	180	180	180	150	1,995	9,513



## [規格表]

呼び名 B×H	形状寸法 (mm)									参考質量 (Kg)
	B	H	B1	H1	T1	T2	T3	C	L	
2,500×1,000	2,500	1,000	2,860	1,360	180	180	180	150	1,995	7,173
2,500×1,100	2,500	1,100	2,860	1,460	180	180	180	150	1,995	7,353
2,500×1,200	2,500	1,200	2,860	1,560	180	180	180	150	1,995	7,533
2,500×1,300	2,500	1,300	2,860	1,660	180	180	180	150	1,995	7,713
2,500×1,400	2,500	1,400	2,860	1,760	180	180	180	150	1,995	7,893
2,500×1,500	2,500	1,500	2,860	1,860	180	180	180	150	1,995	8,073
2,500×1,600	2,500	1,600	2,860	1,960	180	180	180	150	1,995	8,253
2,500×1,700	2,500	1,700	2,860	2,060	180	180	180	150	1,995	8,433
2,500×1,800	2,500	1,800	2,860	2,160	180	180	180	150	1,995	8,613
2,500×1,900	2,500	1,900	2,860	2,260	180	180	180	150	1,995	8,793
2,500×2,000	2,500	2,000	2,860	2,360	180	180	180	150	1,995	8,973
2,500×2,100	2,500	2,100	2,860	2,460	180	180	180	150	1,995	9,153
2,500×2,200	2,500	2,200	2,860	2,560	180	180	180	150	1,995	9,333
2,500×2,300	2,500	2,300	2,860	2,660	180	180	180	150	1,995	9,513
2,500×2,400	2,500	2,400	2,860	2,760	180	180	180	150	1,995	9,693
2,500×2,500	2,500	2,500	2,860	2,860	180	180	180	150	1,995	9,873
2,600×1,000	2,600	1,000	3,000	1,400	200	200	200	200	1,995	8,400
2,600×1,100	2,600	1,100	3,000	1,500	200	200	200	200	1,995	8,600
2,600×1,200	2,600	1,200	3,000	1,600	200	200	200	200	1,995	8,800
2,600×1,300	2,600	1,300	3,000	1,700	200	200	200	200	1,995	9,000
2,600×1,400	2,600	1,400	3,000	1,800	200	200	200	200	1,995	9,200
2,600×1,500	2,600	1,500	3,000	1,900	200	200	200	200	1,995	9,400
2,600×1,600	2,600	1,600	3,000	2,000	200	200	200	200	1,995	9,600
2,600×1,700	2,600	1,700	3,000	2,100	200	200	200	200	1,995	9,800
2,600×1,800	2,600	1,800	3,000	2,200	200	200	200	200	1,995	10,000
2,600×1,900	2,600	1,900	3,000	2,300	200	200	200	200	1,995	10,200
2,600×2,000	2,600	2,000	3,000	2,400	200	200	200	200	1,995	10,400
2,600×2,100	2,600	2,100	3,000	2,500	200	200	200	200	1,995	10,600
2,600×2,200	2,600	2,200	3,000	2,600	200	200	200	200	1,995	10,800
2,600×2,300	2,600	2,300	3,000	2,700	200	200	200	200	1,995	11,000
2,600×2,400	2,600	2,400	3,000	2,800	200	200	200	200	1,995	11,200
2,600×2,500	2,600	2,500	3,000	2,900	200	200	200	200	1,995	11,400
2,600×2,600	2,600	2,600	3,000	3,000	200	200	200	200	1,995	11,600



## [規格表]

呼び名 B×H	形状寸法(mm)									参考質量 (Kg)
	B	H	B1	H1	T1	T2	T3	C	L	
2,800×1,000	2,800	1,000	3,200	1,400	200	200	200	200	1,995	8,800
2,800×1,100	2,800	1,100	3,200	1,500	200	200	200	200	1,995	9,000
2,800×1,200	2,800	1,200	3,200	1,600	200	200	200	200	1,995	9,200
2,800×1,300	2,800	1,300	3,200	1,700	200	200	200	200	1,995	9,400
2,800×1,400	2,800	1,400	3,200	1,800	200	200	200	200	1,995	9,600
2,800×1,500	2,800	1,500	3,200	1,900	200	200	200	200	1,995	9,800
2,800×1,600	2,800	1,600	3,200	2,000	200	200	200	200	1,995	10,000
2,800×1,700	2,800	1,700	3,200	2,100	200	200	200	200	1,995	10,200
2,800×1,800	2,800	1,800	3,200	2,200	200	200	200	200	1,995	10,400
2,800×1,900	2,800	1,900	3,200	2,300	200	200	200	200	1,995	10,600
2,800×2,000	2,800	2,000	3,200	2,400	200	200	200	200	1,995	10,800
2,800×2,100	2,800	2,100	3,200	2,500	200	200	200	200	1,995	11,000
2,800×2,200	2,800	2,200	3,200	2,600	200	200	200	200	1,995	11,200
2,800×2,300	2,800	2,300	3,200	2,700	200	200	200	200	1,995	11,400
2,800×2,400	2,800	2,400	3,200	2,800	200	200	200	200	1,995	11,600
2,800×2,500	2,800	2,500	3,200	2,900	200	200	200	200	1,995	11,800
2,800×2,600	2,800	2,600	3,200	3,000	200	200	200	200	1,995	12,000
2,800×2,700	2,800	2,700	3,200	3,100	200	200	200	200	1,995	12,200
2,800×2,800	2,800	2,800	3,200	3,200	200	200	200	200	1,995	12,400
3,000×1,000	3,000	1,000	3,400	1,500	250	250	200	200	1,995	10,900
3,000×1,100	3,000	1,100	3,400	1,600	250	250	200	200	1,995	11,100
3,000×1,200	3,000	1,200	3,400	1,700	250	250	200	200	1,995	11,300
3,000×1,300	3,000	1,300	3,400	1,800	250	250	200	200	1,995	11,500
3,000×1,400	3,000	1,400	3,400	1,900	250	250	200	200	1,995	11,700
3,000×1,500	3,000	1,500	3,400	2,000	250	250	200	200	1,995	11,900
3,000×1,600	3,000	1,600	3,400	2,100	250	250	200	200	1,995	12,100
3,000×1,700	3,000	1,700	3,400	2,200	250	250	200	200	1,995	12,300
3,000×1,800	3,000	1,800	3,400	2,300	250	250	200	200	1,995	12,500
3,000×1,900	3,000	1,900	3,400	2,400	250	250	200	200	1,995	12,700
3,000×2,000	3,000	2,000	3,400	2,500	250	250	200	200	1,995	12,900
3,000×2,100	3,000	2,100	3,400	2,600	250	250	200	200	1,995	13,100
3,000×2,200	3,000	2,200	3,400	2,700	250	250	200	200	1,995	13,300
3,000×2,300	3,000	2,300	3,400	2,800	250	250	200	200	1,995	13,500
3,000×2,400	3,000	2,400	3,400	2,900	250	250	200	200	1,995	13,700
3,000×2,500	3,000	2,500	3,400	3,000	250	250	200	200	1,995	13,900
3,000×2,600	3,000	2,600	3,400	3,100	250	250	200	200	1,995	14,100
3,000×2,700	3,000	2,700	3,400	3,200	250	250	200	200	1,995	14,300
3,000×2,800	3,000	2,800	3,400	3,300	250	250	200	200	1,995	14,500
3,000×2,900	3,000	2,900	3,400	3,400	250	250	200	200	1,995	14,700
3,000×3,000	3,000	3,000	3,400	3,500	250	250	200	200	1,995	14,900



## [規格表]

呼び名 B×H	形状寸法(mm)									参考質量 (Kg)
	B	H	B1	H1	T1	T2	T3	C	L	
4,000×1,000	4,000	1,000	4,500	1,500	300	250	300	300	1,495	10,988
4,000×1,100	4,000	1,100	4,500	1,600	300	250	300	300	1,495	11,175
4,000×1,200	4,000	1,200	4,500	1,700	300	250	300	300	1,495	11,363
4,000×1,300	4,000	1,300	4,500	1,800	300	250	300	300	1,495	11,550
4,000×1,400	4,000	1,400	4,500	1,900	300	250	300	300	1,495	11,738
4,000×1,500	4,000	1,500	4,500	2,000	300	250	300	300	1,495	11,925
4,000×1,600	4,000	1,600	4,500	2,100	300	250	300	300	1,495	12,113
4,000×1,700	4,000	1,700	4,500	2,200	300	250	300	300	1,495	12,300
4,000×1,800	4,000	1,800	4,500	2,300	300	250	300	300	1,495	12,488
4,000×1,900	4,000	1,900	4,500	2,400	300	250	300	300	1,495	12,675
4,000×2,000	4,000	2,000	4,500	2,500	300	250	300	300	1,495	12,863

※その他寸法はお問い合わせください。